

RIGEL 344

Defibrillator Tester / Pacer Analyser / ECG Simulator

Operating Manual



**Bracken Hill
South West Industrial Estate
Peterlee, County Durham
SR8 2SW, England**
Phone: + 44 (0) 191 586 3511 Fax: + 44 (0) 191 5860227
www.rigelmedical.com

Copyright

Copyright © 2003 by Rigel Medical, part of Seaward Electronic Ltd. All rights reserved. No part of this publication may be reproduced or transmitted in any form other than for the purchaser's personal use without written permission from Seaward Electronic Ltd.

Quality Assurance

Seaward Electronic Ltd is ISO 9001-2000 Certified. This instrument was thoroughly tested and inspected according to Seaward Electronic' ISO 9001-2000 quality standards and test procedures and found to meet those specifications when it was shipped from the factory.

Warranty

Rigel Medical warrants the RIGEL 344 against defects in materials and workmanship for one year from the date of original purchase. The standard warranty is extended for a second year if the instrument is returned to Rigel Medical for its recommended yearly recalibration.

During the warranty period, we will repair or, at our option, replace at no charge a product that proves to be defective, provided you return the product shipping prepaid to Rigel Medical. This warranty does not apply if the product has been damaged by accident or misuse or as the result of service or modification by other than Rigel Medical, or if its serial number is defaced or removed.

Rigel Medical reserves the right to discontinue the RIGEL 344 at any time, and change its specifications, price, or design without notice and without incurring any obligation. Rigel Medical guarantees availability of service parts for 5 years after the manufacture of the unit is discontinued.

The warranty is void if you elect to have the unit serviced and / or calibrated by someone other than Rigel Medical.

The purchaser assumes all liability for any damages or bodily injury which may result from the use or misuse of the unit by the purchaser, his employees, agents, or customers. *In no event shall Seaward Electronic Ltd be liable for consequential damages*

Trademarks

Rigel Medical and RIGEL 344 are trademarks of Seaward Electronic Ltd. Any other trademark names used in this manual are only for editorial purposes and the benefit of the respective trademark owner with no intention of improperly using that trademark.

Table of Contents

1. General Overview

1.1 Introduction	06
1.2 Safety Considerations	07
1.3 Specifications	08
1.4 Accessories	10

2. Operating Instructions

2.1 Getting Started	11
2.2 Instrument Familiarity	12
2.3 Power Up and Initialisation	13
2.4 Menu Structure	13
2.5 Testing a Defibrillator	16
2.5.1 Energy Measurement	16
2.5.2 Peak Voltage and Current	17
2.5.3 Viewing Waveform Output	17
2.5.4 Measuring Cardioversion (Sync.) Time	17
2.6 Testing Semi / Auto Defibrillator	18
2.6.1 Selecting Waveforms	18
2.6.2 Measuring Energy	19
2.7 Printing Defibrillator Measurement Data	19
2.8 ECG Arrhythmia Simulator	21
2.8.1 Generating Normal Sinus Rhythm Waveform	21
2.8.2 Generating Arrhythmia Waveforms	22
2.8.3 Arrhythmia Waveform Definitions	22
2.8.4 Amplitude Selection	22
2.8.5 Generating Performance Waveforms	23
2.9 Testing Transthoracic Pacers	24
2.9.1 Selecting Pacer Manufacturer	24
2.9.2 Selecting 50 Ohm Test Load	25
2.9.3 Selecting Variable Test Loads	25
2.9.4 Measuring Pulse Parameters	25
2.9.5 Measuring Refractory Periods	26
2.9.6 Demand Sensitivity Tests	27
2.9.7 Immunity Tests	28
2.9.8 Measuring Energy	28
2.10 Testing External Transvenous Pacers (AV)	29
2.10.1 Measuring Pulse Parameters	29
2.10.2 Measuring Refractory Periods	29
2.10.3 Demand Sensitivity Tests	30

2.10.4 Immunity Tests -----	31
2.10.5 Measuring AV Interval -----	32
2.10.6 Measuring Energy -----	32
2.10.7 Pacemaker Type Selection -----	32
2.11 Printing Pacer Measurements -----	33
2.11.1 Printing Without a Header -----	33
2.11.2 Printing With a Header -----	33
2.12 Automatic Pacer Testing -----	34
2.13 Printer Functions -----	34
2.14 Auxiliary Functions -----	36
2.14.1 AV Pacer Test Function -----	36
2.14.2 Transcutaneous Pacer Test Function -----	37
2.14.3 Calibration Check -----	37
2.14.4 Printer Format Selection -----	38
2.14.5 Pacemaker Battery Current Test -----	39
3. Palm Pilot Interface	
3.1 Introduction -----	39
3.2 Rigel PalmSoft Set Up Procedure -----	39
3.3 Receiving and Saving Data -----	40
4. Theory of Operation	
4.1 Introduction -----	41
4.2 Defibrillator Output Measurement -----	41
4.3 Pacemaker Output Measurement -----	41
4.4 Circuit Block Descriptions -----	42
5. Troubleshooting RIGEL 344 -----	45
6. Appendix -----	46

This Manual is provided to explain the operation of the RIGEL 344 Defibrillator Tester / Pacemaker Analyser / ECG Simulator test instrument.

It is intended for the biomedical engineering or clinical engineering technician involved in the testing of defibrillators and external pacemakers.

The operator must be familiar with and follow the safety protocols recommended by the device manufacturer.

Safety Notes:

- 1. Before using the RIGEL 344 read the instruction manual and become familiar with the functions and controls.**
- 2. Discharge a defibrillator only into the paddle contacts of the RIGEL 344. Do not discharge a defibrillator into any other connectors of the RIGEL 344.**
- 3. The operating instructions of the manufacturers of all defibrillators and pacemakers being tested must be followed. Special attention should be paid to automatic and semi-automatic defibrillators.**
- 4. Do not connect transthoracic and transvenous pacemakers simultaneously. Test only one type at a time.**
- 5. Do not change the variable pacer test load while a transthoracic pacemaker is turned on. Turn the pacemaker off before selecting a test load.**

1.1 Introduction

The RIGEL 344 is a biomedical test instrument that combines the complete testing functions of a defibrillator tester, a pacemaker analyser, and an ECG arrhythmia simulator into one compact instrument.

The Rigel 344 is designed to accurately measure the output parameters of defibrillators and external pacemakers, including both transthoracic and transcutaneous devices. It simulates a wide variety of arrhythmia waveforms for testing automatic defibrillators and ECG equipment.

It is compact, lightweight, and rugged. The Rigel 344 is operated via easy to use menus displayed on its large display. It may be battery or AC operated.

1.1.1 Defibrillator Test Functions

The Rigel 344 measures the delivered energy of a defibrillator in Joules (watt – seconds). The built in test load (50 Ohms) simulates the human body's resistance. The energy is measured in two ranges: 0-100 Joules (LOW) or 0 – 1000 Joules (HI). The Peak Voltage and Current are displayed simultaneously.

The cardioversion delay time of a defibrillator in its synchronized mode is measured in milliseconds from the R wave peak of the simulated ECG waveform.

The defibrillator pulse waveform can be replayed via the ECG jacks on the side panel or through the paddles to print on a recorder or view on an oscilloscope.

1.1.2 Pacemaker Test Functions

The Rigel 344 makes several measurements of transthoracic and transvenous (A-V) pacemakers.

1.1.2.1 Transthoracic Pacers

Test load: 50 Ohms or user selectable load from 100 to 1000 Ohms.

Measures: Peak current, pulse width, pulse rate, paced refractory period, sensed refractory period, and pulse energy.

1.1.2.2 Transvenous Pacers

Measures: Peak current, pulse width, pulse rate, paced refractory period, sensed refractory period, immunity test (50Hz/60 Hz), A/ V interval, and pulse energy.

Measures the current drain (ON / OFF) of the pacemaker, using the optional adapter (PN xxxxx).

1.1.3 ECG / Arrhythmia Simulator Functions

The Rigel 344 simulates a normal sinus rhythm ECG waveform along with several arrhythmias. It also generates sine, square, triangle, and pulse performance waveforms.

1.2 Safety Considerations

Before using the RIGEL 344, the operator must follow the safety precautions listed in this manual.

1.2.1 Defibrillators

Defibrillators deliver high voltage shocks to a patient in order to stop a heart attack. The defibrillator discharge pulse is potentially dangerous.

1.2.2 Automatic Defibrillators

Automatic defibrillators discharge automatically when they detect a life threatening heart condition, which requires a shock.

The RIGEL 344 simulates a wide variety of arrhythmia waveforms. When the instrument is connected to an automatic defibrillator and a ventricular fibrillation (VFB) or ventricular tachycardia waveform is selected, the defibrillator will discharge. The fully automatic defibrillator will warn the user that it is about to discharge. Always heed the audible warnings of the defibrillator. Use the recommended paddle adapters for connecting to the RIGEL 344. Do not touch the paddle or electrode contacts.

1.3 Specifications

1.3.1 Defibrillator Tester

Energy Measurement

Load Resistance: 50 Ohms \pm 1% Non Inductive.

Range (High): 1000 Joules.

Resolution: 1 Joule.

Range (Low): 0 – 100 Joules.

Resolution: 0.1 Joules.

Maximum Voltage: 5200 volts (HI Range), 1750 volts (Low Range).

Maximum Current: 100 Amp (HI Range), 32 Amps (Low Range).

Accuracy: HI Range: \pm 2% of the Reading \pm 2 Joules.

LOW Range: \pm 2% of Reading \pm 0.1 Joule.

Cardioversion (Sync.) Time

Range: 0-250 ms.

Measurement: From peak of R wave.

Accuracy: 1% of Full Scale \pm 1 ms.

Discharge Waveform Output

Real Time: Output 1000: 0.5 Volts.

Stored: Time expansion 200:1 repeated every 8 seconds.

1.3.2 External Pacer Analyser

1.3.2.1 Transthoracic

Test Load: 50 Ohms (Fixed).

and Variable 100 to 1000 Ohms user selectable.

Current: 1 to 200 mA.

Accuracy: \pm 5% + . 5 mA

Pulse Width: 0.5 to 80 ms.

Accuracy: \pm 1% + .1 ms.

Refractory: 20 – 500 ms.

Accuracy: \pm 2 % or + 10ms.

1.3.2.2 Transvenous (Atrial and Ventricular)

Test Load: 500 Ohms \pm 1%.

Current: 1 to 25 mA.

Accuracy: \pm 5% + . 5 mA.

Pulse Rate: 30 to 800 ppm.

Pulse Width: 0.5 to 80 ms.

Accuracy: \pm 1% + .1 ms.

Refractory: 20 – 500 ms.
Accuracy: $\pm 2\%$ or +10ms.
Immunity Test: 50/60 Hz.

1.3.3 ECG Arrhythmia Simulator

ECG Waveform:

Normal Sinus Rhythm

Rates: 30, 60, 80, 120, 180, 240, 300 BPM

Performance Waveforms:

Sine, Square, Triangle, and Pulse

Rates: 0.5, 1, 2, 10, 15, 20, 25, 40 Hz.

Arrhythmia Waveforms:

VFBC, VFBF, VTAC, AFIB, PVC, PVC1, PVC2, BGY, RBB, AFIB, AFT, PVC.

Amplitudes: 0.5, 1, 1.5, 2, 2.5, 3 mv.

Waveform Output:

Low Level: 12 Lead ECG and Paddle

Hi Level: Output Jacks

Accuracy:

Rate: $\pm 1\%$

Amplitude: $\pm 2\%$ (LA-LL), $\pm 10\%$ (Paddles)

1.3.4 RS 232 Output

A computer interface is available to print test results or to save them on a PC. The test results can be saved directly to a Palm Pilot using Rigel Medical's optional palm software.

1.3.5 Power Requirements

Two 9- Volt Alkaline Batteries or AC adapter.

1.3.6 Physical Characteristics

1.3.6.1 Dimensions

25.4 x 27.9 x 5.7 cm

1.3.6.2 Weight

1.9 Kg

1.3.7 Environmental Operating Specifications

Storage Temperature: -25 to 50° C

Operating temperature: 15 to 40° C

Maximum Humidity: 95% Relative Humidity

1.4 Accessories

1.4.1 Standard Accessories

Operating Manual	650-USER-MANUAL
Carrying Case	650-CASE
Universal Paddle Adapters (set of 2)	653
Unterminated Banana Plug (set of 2)	6383-02
ECG Snap Adapters (set of 10)	1000

1.4.2 Optional Accessories

AC Adapter (110 VAC)	301 (110VAC)
AC Adapter (220 VAC)	301-220 (220 VAC)
Printer	DPM 411
Serial Printer Interface Cable	903
Software for PC	650-PC-SOFT
Palm Pilot Interface Software	650-PALM-SOFT
Palm Pilot Interface Cable	650-PALM-CABLE
AED Paddle Adapters:	
HP	651-HP
Zoll	651-Zoll
PhysioControl	651-Physio
Marquette	651-MARQ
Laerdhal	651-LAED
Universal A/V Pacer Adapter Cable	652
Pacemaker Battery Test Adapter Cable	652-BATT
Transcutaneous Pacer Adapters:	
Zoll	Call for Part Number
HP	Call for Part Number
Physio Control	Call for Part Number

2.1 Getting Started

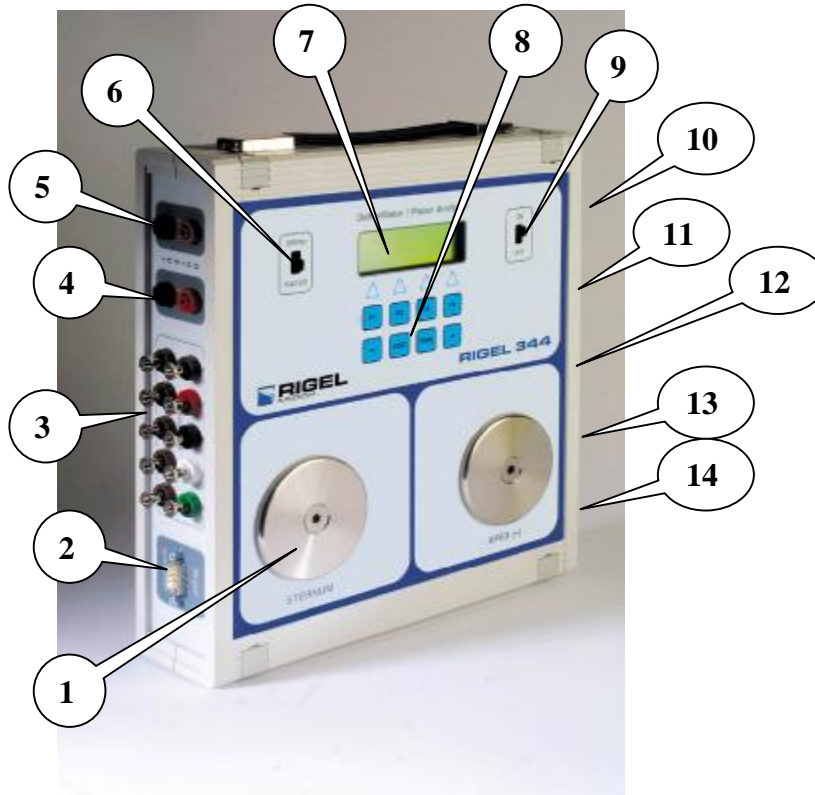
Before unpacking the RIGEL 344 inspect the shipping box for any visual damage. If damage is found, do not unpack the unit and immediately notify the shipping carrier.

If no damage is found to the shipping box, open the box and perform a visual inspection of the Rigel 344. If any damage to the unit is observed please contact Rigel Medical Customer Service.

The Rigel Medical warranty statement is listed in the warranty section of this manual. When shipping an instrument to Rigel Medical for repair or calibration make sure that the instrument is properly packed. A completed the Service Return Form must be included with the returned instrument to ensure the timely repair and return of your instrument. The Service Return Form may be obtained at our web site www.rigelmedical.com or from the Rigel Medical Customer Service Department.

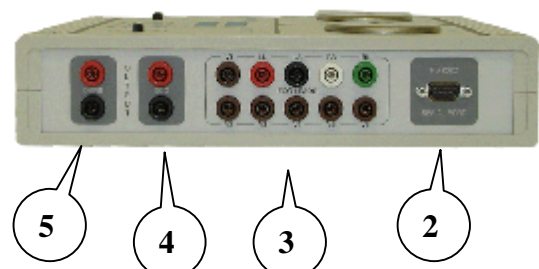
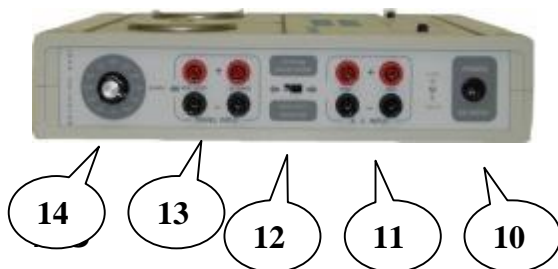
2.2 Instrument Familiarity

Before proceeding to use the RIGEL 344 make sure you read this manual and become familiar with the functions all of the controls and the menu operation.



RIGEL 344

<ol style="list-style-type: none"> 1. Defib. Paddle Contacts: Apex (R) Sternum (L) 2. Serial Port 3. ECG Output – 10 Lead 4. ECG Hi Level 5. Real Time Output 6. Defib / Pacer Selector 7. LCD Display 	<ol style="list-style-type: none"> 8. Function Keys 9. Power Switch 10. DC Power Input 11. A / V Pacer Input 12. Pacer Input Selector 13. Transcutaneous Input 14. Transcutaneous Input Load Selector.
--	--



Defibrillator Main Menu: Automatically Displayed After Power Up

E	n	e	r	g	y	:	0	0	0	0		J	o	u	l	e	s	
			P	e	a	k	:					V	o	l	t	s		
			P	e	a	k	:					A	m	p				
E	-	H	I		C	A	R	D			A	E	D			S	I	M

F1				F2				F3				F4			
-----------	--	--	--	-----------	--	--	--	-----------	--	--	--	-----------	--	--	--

Defibrillator Menu: 'F1' Key Pressed = Energy Range = Low

E	n	e	r	g	y	:	0	0	.	0	0		J	o	u	l	e	s
			P	e	a	k	:						V	o	l	t	s	
			P	e	a	k	:						A	m	p			
E	-	L	O		C	A	R	D			A	E	D			S	I	M

F1				F2				F3				F4			
-----------	--	--	--	-----------	--	--	--	-----------	--	--	--	-----------	--	--	--

Cardioversion Test Menu: 'F2' Key Pressed = Cardio. Time

C	a	r	d	i	o	:	-	0	0	0		m	S					
E	n	e	r	g	y	:	0	0	0	0		J	o	u	l	e	s	
			E	C	G	:		6	0		b	p	m					
E	-	H	I		C	A	R	D			A	E	D			S	I	M

F1				F2				F3				F4			
-----------	--	--	--	-----------	--	--	--	-----------	--	--	--	-----------	--	--	--

AED Test Menu: 'F3' Key Pressed = 'AED' in Defibrillator Menu

E	n	e	r	g	y	:	0	0	0	0		J	o	u	l	e	s	
A	R	R	T	H												E	C	G

F1				F2				F3				F4			
-----------	--	--	--	-----------	--	--	--	-----------	--	--	--	-----------	--	--	--

Simulator Menu: 'F4' Key Pressed = Simulator Menu

			S	i	m	u	l	a	t	o	r							
			A	M	P	:		1	m	V								
			E	C	G	:	6	0	b	p	m							
E	C	G	A	R	R	T	H		P	E	R	F			A	M	P	L

F1				F2				F3				F4			
-----------	--	--	--	-----------	--	--	--	-----------	--	--	--	-----------	--	--	--

- D. To measure energy in the low range press the F1 key. 'E-HI' will change to 'E-LO' as in Figure 2.
- E. To measure the energy, discharge the defibrillator paddles.
- F. In the low range, if the discharged energy exceeds 100 joules, the display will flash HIGH.

Figure 1
Defibrillator Main Menu

E	N	E	r	g	y	:	0	0	0	0		J	o	u	l	e	s	
		P	e	a	k	:						V	o	l	t	s		
		P	e	a	k	:						A	m	p				
E	-	H	I		C	A	R	D			A	E	D			S	I	M
F1				F2				F3				F4						

Figure 2
Defibrillator Menu: Energy Range 'E-LO' F1 Key Pressed

E	N	E	r	g	y	:	0	0	.	0	0		J	o	u	l	e	s
		P	e	a	k	:							V	o	l	t	s	
		P	e	a	k	:							A	m	p			
E	-	L	O		C	A	R	D			A	E	D			S	I	M
F1				F2				F3				F4						

2.5.2 Peak Voltage and Current

Each time the defibrillator is discharged, the display will update the peak voltage and the peak current (displayed in Amps) measurement readings.

2.5.3 Viewing Waveform Output

2.5.3.1 On a Defibrillator Monitor

1. After the defibrillator is discharged, and while the RIGEL 344 is in the energy mode, the captured waveform will be available through the ECG leads, the paddle contacts, and the high level output jack on the side panel.
2. Waveforms on the ECG leads and paddles are amplitude scaled to provide maximum output. Time is scaled to provide a time expansion of 1:200. The Discharged wave is repeated at 8-second intervals.

2.5.3.2 On an Oscilloscope

An attenuated defibrillator discharge waveform can be displayed on an oscilloscope. The amplitude reduction is 1000:1 volts.

- A. Connect an oscilloscope to the side panel output jack located on the left side.**
- B. Set the sweep to 1 ms/div and the vertical gain to 1 volt. Discharge the defibrillator on the paddle contacts, and observe the waveform on the oscilloscope.**
- C. If it is a storage oscilloscope, activate the storage mode before discharging energy to the RIGEL 344.**

2.5.4 Measuring Cardioversion (Sync.) Time

The RIGEL 344 measures the synchronisation time (cardioversion time) of the defibrillator. A simulated ECG waveform @ 60 BPM is output through the ECG jacks and the paddle contact plates. During normal operation, the defibrillator recognises and responds to this trigger by discharging within a certain period of time.

The RIGEL 344 is capable of measuring the cardioversion (sync.) time if the defibrillator discharge energy is within ± 250 ms of the peak of the R wave.

- A. Press 'CARD' soft key (F2) from the Main menu.**
- B. A simulated ECG waveform @ 60BPM is output through the ECG leads and paddles.**
- C. Select the source of the ECG waveform on your defibrillator. Observe the ECG coming out of the RIGEL 344 on your defibrillator monitor.**
- D. Set the defibrillator to the synchronize mode.**
- E. Discharge the energy on the RIGEL 344.**
- F. The cardioversion (sync.) time will be displayed.**
- G. If the cardioversion time is greater than ± 250 ms of the peak of the R wave, the RIGEL 344 will display 'over range'.**

Cardioversion Test Menu: 'F2' Key Pressed = Cardio. Time

C	A	r	d	i	o	:	-	0	0	0					m	s				
E	N	e	r	g	y	:		0	0	0	0				J	o	u	l	e	s
			E	C	G	:		6	0			b	p	m						
E	-	H	I		C	A	R	D				A	E	D				S	I	M

F1	F2	F3	F4
----	----	----	----

2.6 Testing Semi-Automatic or Automatic Defibrillators

Refer to the defibrillator manufacturer's service manual for specific device inspection requirements.

Observe all safety precautions. For fully automatic defibrillators use the correct paddle adapter for the defibrillator under test. The paddle contact plates must not be exposed during discharge.

2.6.1 Selecting Waveforms

- A. Press the 'AED' (F3) soft key in the Defib main menu. Energy values will be indicated on the top line of the display. Possible Arrhythmia (F1) selections and ECG (F4) selections will be displayed on the bottom line of the display.
- B. Select the desired Arrhythmia waveform by pressing (F1) for the list of advisory shock waveforms of the defibrillator. The waveform selected will be indicated on the third line of the display.

2.6.2 Measuring Energy

- A. Connect the paddle adapters to the circular contact plates (for fully automatic defibrillators) or place the paddles firmly on the paddle contacts (for semi automatic defibrillators with paddles) and discharge the defibrillator.
- B. The RIGEL 344 will display the measured energy.

Defibrillator Main Menu: 'F3' Key Pressed AED Selection

E	n	E	r	g	y	:	0	0	0	0		J	o	u	l	e	s	
		P	e	a	k	:						V	o	l	t	s		
		P	e	a	k	:						A	m	p				
E	-	H	I		C	A	R	D			A	E	D			S	I	M

F1	F2	F3	F4
----	----	----	----

AED Test Menu: 'F1' Key Pressed for Arrhythmia Selection

E	n	e	r	g	y	:	0	0	0	0		J	o	u	l	e	s	
A	R	R	T	H												E	C	G

F1	F2	F3	F4
----	----	----	----

AED, Arrhythmia Selection Menu: 'F1' Key Pressed for VFB Course

E	n	e	r	g	y	:	0	0	0	0		J	o	u	l	e	s		
		W	a	v	e	:	V	F	B		C	o	u	r	s	e			
V	F	B	C		V	F	B	F		V	T	A	C			A	F	I	B

F1	F2	F3	F4
----	----	----	----

2.7 Printing Defibrillator Measurement Data

- A. Press the 'PRN' key on the Keypad to print the measured test data from the RIGEL 344 in the defibrillator mode.
- B. The first time the 'PRN' key is pressed, the header shown below in Fig A will be printed, followed by the measured test data in Fig B

RIGEL MEDICAL DEFIB TESTER RIGEL 344	
Date: _____	
Control No. _____	
Model No. _____	
Serial No. _____	
Manf. _____	
Hospital: _____	
BMET: _____	
Remarks: _____	
Pass _____ Fail _____	
 Energy set: _____ Energy: 103 Joules Peak Voltage: 1739 Volts Peak Current: 34 Amp	

Fig A

Fig B

C. If the 'PRN' key is pressed, when the instrument is in the defibrillator- cardioversion mode, the measured data will be printed as shown in Fig C.

Energy set: _____ Cardio Time: 31 mS Energy: 103 Joules Peak Voltage: 1739 Volts Peak Current: 34 Amp
--

Fig C

2.8 ECG ARRHYTHMIA SIMULATOR

The RIGEL 344 is a 12 lead ECG arrhythmia simulator. In addition to simulating a normal sinus rhythm and 12 arrhythmia waveforms, the instrument will generate four different performance waveforms.

The Simulator's main menu provides options for arrhythmia, ECG, and performance waveform selections along with amplitude selections.

2.8.1 Generating a Normal Sinus Rhythm Waveform

- A. Connect the patient cable of the ECG monitoring instrument to be tested to the ECG Leads connectors on the side of the RIGEL 344.
- B. Press the 'SIM' F4 key from either the energy or cardio menu of the Defibrillator Tester to turn on the ECG Arrhythmia Simulator.
- C. Press the 'ECG' F1 key for normal sinus rhythm. The default settings for normal sinus rhythm are 80 bpm and 1 millivolt amplitude.

Cardio Menu:										Press 'SIM' F4 Key for Simulator														
C	a	r	d	i	o	:	-	0	0	0							m	s						
E	n	e	r	g	y	:		0	0	0	0						J	o	u	l	e	s		
		E	C	G		:		6	0			b	p	m										
E	-	H	I		C	A	R	D				A	E	D					S	I	M			
F1					F2					F3					F4									

Main ECG Simulator Menu:										Press 'ECG' F1 Key to Select Rate															
										S	i	m	u	l	a	t	o	r							
										A	m	p	:		1	m	v								
										E	C	G	:		6	0	b	p	m						
E	C	G								A	R	R	T	H		P	E	R	F			A	M	P	L
F1					F2					F3					F4										

- D. To change the heart rate, bpm, press the appropriate key. Rates of 30, 60, 80, 120, 180, 240, and 300 are available.
- E. The '←' and '→' keys advance the rate selection menu.
- F. Press the 'ESC' key to return to the Simulator Main Menu.

2.8.2 Generating Arrhythmia Waveforms

- A. Press the 'ARRTH' F2 key to view the available arrhythmias. The default arrhythmia is VFB course and the amplitude is set at 1 millivolt.
- B. The '←' and '→' keys to advance through the arrhythmia selection menu.
- C. Press the appropriate key to select an arrhythmia waveform.

D. The selected arrhythmia will be displayed on the third line of the simulator menu display.

2.8.3 Arrhythmia Waveform Definitions

- VFBC** Ventricular Fibrillation Course, the amplitude of the waveform is equal to the display.
- VFBF** Ventricular Fibrillation Fine, the amplitude of the waveform is one half the value of the display.
- VTAC** Ventricular Tachycardia
- AFIB** Atrial Fibrillation
- RBB** Right Bundle Branch Block
- PAC** Premature Atrial Contraction
- PVC** Premature Ventricular Contraction, one PVC followed by 10 normal beats.
- PVC1** Premature Ventricular Contraction, one PVC followed by 7 normal beats.
- PVC2** Premature Ventricular Contraction, run of 5 PVC's followed by 9 normal beats.
- BGY** Bigeminy
- AFT** Atrial Flutter
- PVCM** Premature Ventricular Contraction, manually placed each time the 'PVCM' key is pressed. NSR rate is 60 bpm.

2.8.4 Amplitude Selection

- A. Press the 'AMPL' F4 key in the Simulator Main Menu to select the amplitude.**
- B. The '←' and '→' keys to advance through the amplitude selection menu. There are eight choices: 0.5, 1, 1.5, 2, 2.5, 3, 4, and 5 mV. The selected amplitude will be displayed on the second line of the Simulator Menu display. The selected amplitude will remain in effect as long as you are in the simulator menu.**

Note: When the RIGEL 344 is switched to the energy mode from the simulator menu, the waveform amplitude will return to the default value of 1 mV.

2.8.5 Generating Performance Waveforms

Sine, square, triangle, and pulse waveforms are available for the performance testing of ECG monitoring equipment.

- A. Press the 'PERF' F3 key in the Simulator Main Menu to select performance waveforms.
- B. Press either the 'SINE' F1, the 'SQUR' F2, the 'TRI' F3, or the 'PULS' F4 key to select the desired waveform.
- C. The default amplitude setting of the performance waveforms is 1 mv. Press the 'AMPL' F4 key in the Simulator Main Menu to change the amplitude. The selected amplitude will remain during testing until it is changed. The amplitude will revert to the 1 mv default setting when the RIGEL 344 is turned off.
- D. The default frequency of the sine, square, and triangle waveforms is 2 Hz. Frequencies of 0.5, 1, 2, 10, 15, 20, 25, or 40 Hz may be selected. Press either the '←' or '→' key to move through the frequency selections.
- E. Press the key corresponding to the frequency to be selected.
- F. The Pulse waveform is a 20 ms waveform repeated every 4 seconds (240 bpm).

Simulator Menu: Triangle Performance Waveform Selected

					S	i	m	u	l	a	t	o	r						
					A	m	p	:		1	m	V							
					W	a	v	:	T	r	i			2	H	z			
<	0	.	5											1	0				>

Simulator Menu: Pulse Performance Waveform Selected

					S	i	m	u	l	a	t	o	r						
					A	m	p	:		1	m	V							
				2	0	m	s		P	u	l	s	e	@	4	S	e	c	

2.9 Testing Transthoracic Pacers

The RIGEL 344 will test all Transthoracic pacemakers. The brand of transthoracic pacemaker to be tested must be selected through the menu system.

The RIGEL 344 provides a choice of utilizing either a fixed 50 Ohm test load or a built-in variable test load for testing transthoracic pacemakers. Before performing any tests connect the pacemaker to

be tested to either the 50 Ohm fixed test load or the variable test load input connectors.

There are three levels of soft key menus in the Main Pacer Test Menu.

Level 1.	PPM	Wdth	Amp	Ref
Level 2.	Type	Aut	Pri	Aux
Level 3.	Sens	Imm	AV-D	Enr

Press either the '←' or '→' key to move between the three soft key menu Levels.

2.9.1 Selecting Pacemaker Manufacturer

- A. Move the PACER INPUT SELECTOR switch on the side to the TRANS. INPUT position.
- B. Turn the RIGEL 344 instrument on.
- C. Press the 'ZOLL' F1, 'HP' F2, 'MDE' F3, or 'LF-12' F4 key to select a Zoll, Hewlett Packard, MDE, or LifePak 12 model.
- D. Press either the '←' or '→' key to move to the next menu level and then press the 'LIFE' key to select all other LifePak models or the 'Others' key to select all other manufacturers.

2.9.2 Selecting 50 Ohm Fixed Test Load

- A. Move the Mode switch on the RIGEL 344 to PACER.
- B. Move the pacer input selector switch on the side panel to the TRANS. INPUT position.
- C. Connect the transcutaneous pacer to the TRANS INPUT fixed 50 OHMS input connectors (see the next section for variable loads).
- D. Turn the RIGEL 344 on.
- E. Turn the pacer on.
- F. Select the desired pacer manufacturer and perform the tests.

2.9.3 Selecting Variable Test Loads

- A. Move the Mode switch on the RIGEL 344 to PACER.
- B. Move the pacer input selector switch on the side panel to the TRANS. INPUT position.
- C. Connect the transcutaneous pacer to the VAR. LOAD input connectors.
- D. Rotate the LOAD SELECTOR switch to the desired test load for the measurement.
- E. Turn the RIGEL 344 on.
- F. Turn the pacer on.
- G. Select the desired pacer manufacturer and perform the tests.

Note: Turn the pacemaker off before selecting another test load.

2.9.4 Measuring Pulse Parameters: Rate, Width, and Amplitude

- A. Press 'PPM' Key F1 to measure the Rate.
- B. Press 'Wdth' Key F2 to measure the Width.
- C. Press 'Amp' Key F3 to measure the Amplitude.

Note: The RIGEL 344 pacer will continuously measure the parameters and update the display with the new values. Pressing F1, F2, or F3 will select the measurement priority. The parameter selected will be updated first followed by the others.

Pulse Parameter Measurements

		V	t	r		R	a	t	e	=										
		V	t	r		W	d	t	h	=										
		V	t	r		A	m	p	l	=										
	P	P	M			W	d	t	h			A	m	p				R	e	f

2.9.5 Measuring Refractory Periods

- A. Select Level 1 in Pacer Test Main Menu.
- B. Press the 'Ref' L4 key for the refractory period measurement.

Refractory Menu: 'Ref' F4 Key Pressed

		R	E	f	r	a	c	t	o	r	y		T	i	m	e				
P	A	c	E													S	e	n	s	e
F1				F2				F3				F4								
				ESC																

- C. Press the 'Pace' F1 key for paced refractory period measurement.
- D. Press the 'Sense' F4 key for sensed refractory period measurement.
- E. STBY will flash on the top line of the display until the new refractory period is measured.

Note: Some transthoracic pacemakers require a separate ECG input during measurement of the refractory period. The banana jacks marked 'ATR' should be used for this purpose. A 100 mV, 40msec square wave is output at the ATR jacks and must be connected to the EKG input leads of the pacemaker before the measurement is made.

Note: The pacemaker pulse rate must be limited to a maximum of 180 PPM during the refractory period measurement. Each time a function is selected the measurement will start instantaneously and the STBY message is flashed until the measurement is completed. Press the ESC key at any time to cancel the measurement or go back to the previous menu.

2.9.6 Demand Sensitivity Tests

- A. Select Level 2 in the Main Pacer Test Menu.
- B. Press the 'Sens' F1 key for the demand sensitivity measurement.

Sensitivity Menu:

'Sens' F1 Key Pressed

		S	E	n	s	t	v	t	y	=	S	T	B	Y				
S	q	r			4	0	m	S										
F1				F2				F3				F4						
				ESC														

- C. Press the F1 key to select a square (Sqr), triangle (Tri), or (SSQ) waveform.

D. The default sensitivity is 40 milliseconds. Press the F2 key to select a different sensitivity. 100, 200, 10, 25, and 40 msec are available.

E. 'STBY' will flash on the top line until a measurement is made.

During the sensitivity measurement, the pacemaker pulse rate selection depends on the waveform and the width selected. For certain widths and pacer rates, the waveform may fall within the refractory period of the pacemaker and will not be sensed. This may produce an erroneous reading. Hence, the maximum pacer rate must be set using the table below.

Waveform Width msec	Refractory Period msec	Maximum Pacer Rate ppm
200	< 300	110
	< 400	90
100	< 300	140
	< 400	110
40/25/10	< 250	180
	< 300	170
	< 350	140
	< 400	110

2.9.7 Immunity Tests

A. Press the 'ESC' key to return to the previous menu.

B. Select Level 2 in the Main Pacer Test Menu.

C. Press the 'Imm' F2 key for the noise immunity test.

Immunity Menu:

'Imm' F2 Key Pressed

			N	o	i	s	e		I	m	m	u	n	i	t	y				
6	0	H	z														5	0	H	z

F1	F2	F3	F4
	ESC		

D. Press the '60Hz' F1 key for a sine wave of 60Hz

E. Press the '50Hz' F4 key for a sine wave of 50Hz.

- F. The peak amplitude is displayed from 0 to 10 mV and may be increased or decreased. The default setting is 5.7 mV. Each time the 'à' key is pressed the amplitude increases by 0.7 mV. Each time the 'ß' key is pressed the amplitude decreases by 0.7 mV.

2.9.8 Measuring Energy

- A. Press the 'ESC' key to return to the previous menu.
- B. Press '→' key to go to Pacer Test Menu soft key Level 2 where energy may be selected.
- C. Press 'ENR' F4 key for Energy measurement.
- D. Energy will be displayed on the top line of the display. Energy will be measured continuously and updated while in the Energy menu.

Energy Measurement Menu

			T	r	n		E	n	r	g	=									
S	e	n	s				I	m	m			A	V	-	D			E	n	r

- E. Press the 'ESC' key to return to the previous (Level 2) menu.

2.10 Testing External Transvenous Pacers (AV)

The RIGEL 344 will test both atrial and ventricular transvenous pacemakers. Before performing any tests connect the pacemaker to be tested to either the ATR (Atrial) or VENT (Ventricular) A-V INPUT connectors on the side panel.

- A. Move the Pacer Input Selector switch to the A.V. INPUT position.
- B. Turn the RIGEL 344 on.
- C. Press F1 'Atrial' or F4 'Ventri' to select pacer type.
- D. Perform the measurements in section 2.10.1

2.10.1 Measuring Pulse Parameters Rate, Width, and Amplitude

- A. Press 'PPM' Key F1 to measure the Rate.
- B. Press 'Wdth' Key F2 to measure the Width.
- C. Press 'Amp' Key F3 to measure the Amplitude.

Note: The RIGEL 344 pacer will continuously measure the

parameters and update the display with the new values. Press F1, F2, or F3 to select the measurement priority. The parameter selected is updated first followed by the others.

Rate Menu:

'PPM' F1 Key Pressed

		V	t	R		R	a	t	e	=									
		V	t	R		R	a	t	e	=									
		V	t	R		R	a	t	e	=									
	P	P	M			W	d	t	h			A	m	p			R	e	f

2.10.2 Measuring Refractory Periods

- A. Select Level 1 in Pacer Test Main Menu.
- B. Press the 'Ref' L4 key for the refractory period measurement.
- C. Press the 'Pace' F1 key for paced refractory period measurement.
- D. Press the 'Sense' F4 key for sensed refractory period measurement.

Refractory Menu:

F4 Key Pressed

		R	e	f	r	a	c	t	o	r	y		T	i	m	e				
P	a	C	e													S	e	n	s	e

F1	F2	F3	F4
	ESC		

E. STBY will flash on the top line of the display until the new refractory period is measured.

Note: The pacemaker pulse rate must be limited to a maximum of 180 PPM during the refractory period measurement. Each time a function is selected the measurement will start immediately and the STBY message will flash until the measurement is completed. Press the ESC key at any time to cancel a measurement or to go back to a previous menu.

2.10.3 Demand Sensitivity Tests

A. Select Level 2 in the Main Pacer Test Menu.

B. Press the ‘Sens’ F1 key for the demand sensitivity measurement.

Sensitivity Menu:

‘Sens’ F1 Key Pressed

		S	E	n	s	t	v	t	y	=	S	T	B	Y					
S	q	r			4	0	m	S											

F1	F2	F3	F4
	ESC		

C. Press the F1 key to select a square (Sqr), triangle (Tri), or (SSQ) waveform.

D. The default sensitivity is 40 milliseconds. Press the F2 key to select a different sensitivity. 100, 200, 10, 25, and 40 msec are available.

E. ‘STBY’ will flash on the top line until a measurement is made.

During the sensitivity measurement, the pacemaker pulse rate selection depends on the waveform and the width selected. For certain widths and pacer rates, the waveform may fall within the

refractory period of the pacemaker and will not be sensed. This may produce an erroneous reading. Hence, the maximum pacer rate must be set using the table below.

Waveform Width msec	Refractory Period msec	Maximum Pacer Rate ppm
200	< 300	110
	< 400	90
100	< 300	140
	< 400	110
40/25/10	< 250	180
	< 300	170
	< 350	140
	< 400	110

2.10.4 Immunity Tests

- A. Press the 'ESC' key to return to the Level 2 Main Pacer Test Menu.
- B. Press the 'Imm' F2 key for the noise immunity test.

Immunity Menu:

'Imm' F2 Key Pressed

				N	o	I	s	e		I	m	m	u	n	i	t	y				
6	0	H	z															5	0	H	z
F1				F2				F3				F4									
				ESC																	

- C. Press the '60Hz' F1 key for a sine wave of 60Hz
- D. Press the '50Hz' F4 key for a sine wave of 50Hz.
- E. The peak amplitude is displayed from 0 to 101.9 mV and may be increased or decreased. The default setting is 54.3 mV. Each time the 'à' key is pressed the amplitude increases by 6.8 mV. Each time the 'ß' key is pressed the amplitude decreases by 6.8 mV.

2.10.5 Measuring AV Interval

- A. Press the 'ESC' key to return to the Level 2 Main Pacer Test Menu.**
- B. Press the 'AV-D' F3 key from the main menu for A-V Delay measurements.**

AV Interval Menu:

'AV-D' F3 Key Pressed

		A	V		D	e	l	A	y	=									
S	e	n	s			I	m	M			A	V	-	D			E	n	r

Note: The select switch must be in the A-V position and inputs must be connected to both the ATR and VENT input jacks on the RIGEL 344. The amplitude values for both atrial and ventricular output on the pacemaker must be set to 0.1mA or higher.

2.10.6 Measuring Energy

- A. Press the 'ESC' key to return to the Level 2 Main Pacer Test Menu.
- B. Press the 'Enr' F4 key for Energy measurements.

Energy Measurement Menu:

'Enr' F4 Key Pressed

		V	t	r		E	n	R	g	=									
S	e	n	s			I	m	M			A	V	-	D			E	n	r

2.10.7 Pacemaker Type Selection

During measurements the atrial and ventricular inputs may be changed or a different pacemaker may be tested. This is done using the 'Type' function key in the Pacer Test Main Menu.

- A. Press the 'Esc' Key to back up one menu.
- B. Press the '←' or '→' to move to Level 2 Main Pacer Menu.
- C. Press the 'Type' F1 Key.
- D. Press the 'Atrial' F1 or 'Vetri' F4 to make change.

The pacemaker type select switch should be in the position marked 'A-V INPUT', to make atrial and ventricular measurements in invasive pacemakers, and in the position marked 'TRANS. INPUT' to make measurements in transthoracic pacemakers.

2.11 Printing Pacer Measurements

Pacer test measurement results may be printed with or without a header.

2.11.1 Printing Without a Header

- A. Press the 'PRN' key on the Keypad to print the measured test data from the RIGEL 344 in the Pacer Test mode.
- B. The RIGEL 344 will send data to the printer port each time the display updates with current parameter measurements.
- C. Press the 'PRN' key again to stop the continuous printing of parameter measurements.

2.11.2 Printing a Header

- A. Press the 'ESC' key to return to the Level 2 Pacer Menu
- B. Press the 'Pri' F3 key.
- C. Press either the 'Prtr' F1 key or 'PrH' F3 key to print the header.

<p style="text-align: center;">RIGEL MEDICAL PACEMAKER TESTER RIGEL 344</p> <p>Date: _____</p> <p>Control No. _____</p> <p>Model No. _____</p> <p>Serial No. _____</p> <p>Manf. _____</p> <p>Hospital _____</p> <p>BMET _____</p> <p>Remarks _____</p> <p>Pass _____ Fail _____</p> <p style="text-align: center;">VENTRICULAR TESTS ATRIAL TESTS TRANSTHORACIC TESTS</p>

- D. Return to the Pacer measurement program to perform tests.

2.12 Automatic Pacer Testing

In the Automatic Pacer Testing Mode, measurements are performed semi-automatically on seven parameters: pacer rate, pacer width, pacer amplitude, pacing refractory interval, sensing refractory interval, sensitivity, and A-V delay. The pacer width measurement is combined with the PPM measurement.

For each parameter being measured, 10 different test values are pre-programmed. The user has the option of running all 10 of the tests

using default values, running one or more tests with user selected values, or eliminating any of the tests.

User modified values, may be saved for use in subsequent tests as long as the RIGEL 344 is not turned off. The user can leave the modified value unsaved so that the original default values will be output during subsequent tests. The test sequence continues until all of the parameters are tested.

The RIGEL 344 stores the measured values of each test performed in memory. At the completion of the automatic test sequence, the results may be sent to a printer or to a PC through the RS232 interface. The set and measured values are compared. If there is a deviation of more than 10%, a comment to that effect is printed.

Note: Test results are saved in the memory during an auto test sequence until the instrument is switched off. This permits multiple copies of the results to be made on the printers and /or PC.

Note: Comprehensive Automatic Pacer Test instructions are being revised and will be supplied later.

2.13 Printer Functions

In the Level 3 Main Pacer Menu the 'Pri' key will access various printer options.

			P	r	i	n	t		R	e	s	u	l	t	s	?			
P	r	t	r			P	C			P	r	H			N	O			

A. Press the 'Prtr' F1 key to select either the Citizen or Seiko printer.

Seiko DPU411 type II thermal printer

To print the test measurement results on the Seiko DPU 411 thermal printer, follow these steps:

1 Set the dip switches at the bottom of the printer to the following:

Dip switch 1: 4, 5, 7, and 8 ON

Dip switch 2: 1 and 2 ON

The remaining switches should be in the OFF position.

- 2 Connect the printer cable from the RIGEL 344 to the serial input connector (DB-25 connector) of the printer DPU 411.**
- 3 Turn the printer ON and press the ON LINE switch on the printer (online LED lights up).**

Now the printer is ready to receive data from the RIGEL 344. Select 'PRI' in the main menu of the RIGEL 344 and press the F1 key. The 'Select Printer' menu is now displayed showing the printer options. Now select F4 (Seiko) key to print the results.

B. Press the 'PC' F2 key to save the test measurements.

PC Quick Link Software

To store the results in a PC using Quick Link or PC wedge or other communications software follow these steps:

- 1 Using the line setting option select: Baud Rate= 9600, Data Bits= 8, Parity= None, Stop Bits= 1.**
- 2 Connect the RS232 cable from the RIGEL 344 to the serial port of the PC (DB-9 connector) and in the Modem setup option of Quick Link select the COM port.**
- 3 Select the file option to Receive File.**
- 4 à "ASCII" and enter a file name to which the RIGEL 344 results are to be stored.**
- 5 Once the above selections have been made press 'PRI' in the main menu of the RIGEL 344 and press the 'PC' F2 key for the results to be stored in the given file name.**
- 6 The file can be printed out or edited using any text editor.**

C. Press the 'PrH' F3 key to print a header.

D. Press the 'NO' F4 key to return to the Level 3 Menu.

Note: Additional Printer Function instructions are being revised and will be supplied later.

2.14 Auxiliary Functions

The RIGEL 344 has four Auxiliary Operating Functions – Test, Calibration, Print Format, Pacemaker Battery Test.

Press the 'Aux' F4 key in the Level 3 Main Pacer Menu.

		<	-	P	a	c	e	r		T	e	s	t	-	>		
		T	Y	p	e		A	u	t		P	r	i		A	u	x

F1	F2	F3	F4
----	----	----	----

Auxiliary Functions

			A	u	x		F	u	n	c	t	i	o	n	s			
		T	s	t		C	a	l		P	r	F	S		B	a	t	T

2.14.1 AV Pacer Test Function

In the AV Pacer Test Mode, the RIGEL 344 inputs a DC output voltage of 100 millivolts \pm 5 and displays both the input and the measured values.

- A. Select the AV Pacer Mode.
- B. Press the 'Tst' F1 key.
- C. Place the Pacer Select Switch in the AV Input position.
- D. Disconnect the input to the RIGEL 344.
- E. Press the 'ESC' key.

AV Pacer Test

S	E	l	E	C	t	e	d			9	9	.	8	m	v		
M	e	a	S	U	r	e	d			1	0	0	.	1	m	v	

Note: If the measured reading is not within \pm 5 % of the selected reading the RIGEL 344 should be recalibrated.

2.14.2 Transcutaneous Pacer Test Function

In the Transcutaneous Pacer Test Mode, the RIGEL 344 outputs a voltage of 10 millivolts \pm 0.5. This voltage may be checked with a voltmeter connected to the Vent jacks of the A-V Input connectors.

- A. Select the Transcutaneous Pacer Mode.
- B. Press the 'Tst' F1 key.

- C. Place the Pacer Select Switch in the TRANS Input position.**
- D. Disconnect the input to the RIGEL 344.**
- E. Connect the voltmeter to the Vent jacks of the A-V Input connectors.**
- F. Press the 'ESC' key.**
- G. Read the measurement in mv on the voltmeter display.**

Transcutaneous Pacer Test

S	e	L	E	c	t	e	d	1	0	.	0	m	v

Note: If the reading measured with the voltmeter is not within $\pm 5\%$ of the selected reading the Rigel 344 should be recalibrated.

2.14.3 Calibration Check

The RIGEL 344 can be configured as a DC voltmeter and used to check the amplitude calibration.

- A. Press the 'CA' F2 key to perform the amplitude calibration check.
- B. Select 'Atr' or 'Vtr' as the Pacer Type.
- C. Input less than 2 volts into the ATR or VENT connectors of the A.V. INPUT section on the side. The RIGEL 344 will measure and display this voltage.

Calibration Check

C	a	l	C	h	e	c	k					
F	e	e	D	<	2	V	o	l	t	s	D	C

C	a	l	C	h	e	c	k				
M	e	a	s	u	r	e	d	1	.	8	V

Note: If the reading measured is not within $\pm 5\%$ of the Input voltage, the Rigel 344 should be recalibrated.

2.14.4 Printer Format Selection

Different print formats may be selected. Press the 'PrSF' F3 key to select a different format. Press the '←' and '→' keys to move through the selections. The selections are listed :

TAB	Fix horizontal space
LF	Line feed
FF	Form feed
CR	Carriage return
DW	Double width print
DCLR	Reset double width print
HW	Condensed print
HCLR	Reset condensed print
EMP	Emphasise print
ECLR	Reset emphasise print
DST	Double strike
CLR	Reset double strike
MarR	Right margin set
BS	Back space
RST	Reset to power on mode
MarL	Left margin set
PRT	Print 16 characters

2.14.5 Pacemaker Battery Current Test

The RIGEL 344 will measure the battery current of the pacemaker to be tested. The Rigel Medical 652-Battery Adapter is required to perform this measurement.

- A. Connect the battery adapter to the pacemaker and a 9 Volt battery.
- B. Connect the banana jacks of the battery adapter to the VENT connectors of the A.V. INPUT section on the side of the RIGEL 344.
- C. Press the 'BatT' F4 key to perform the measurement.

Battery Test

	B	a	t	t	e	r	Y		C	u	r	r	e	n	t	
	M	e	a	s	u	r	E	d			0	.	0	m	A	

3.1 Introduction

Optional Rigel Medical software, PalmSoft, allows the RIGEL 344 to Interface to a Palm Pilot. Test measurements may be downloaded into the Palm Pilot for display, storage, editing, and later transfer to a PC.

Equipment files may be entered and edited.

3.2 Rigel Medical PalmSoft Set Up Procedure

- A. Load the Rigel Medical PalmSoft software into the Palm Pilot.**
- B. Connect the Palm Pilot to the RIGEL 344 using the Rigel Medical serial interface cable, 650-Palm-Cable.**
- C. Activate the Rigel Medical PalmSoft software.**
- D. Set Up:**
 - 1. Baud rate: 9600**
 - 2. Data bits: 8 bit**
 - 3. Parity: None**
 - 4. Stop bits: 1**
 - 5. Flow control: None**
- E. Enter the file name to be saved into the Palm Pilot. If no file name is entered, the default name is “test”.**

3.3 Receiving and Saving Data

The Palm Pilot is now ready to receive measurement data from the RIGEL 344.

- A. Press the receive key of the Palm Pilot.**
- B. Press the ‘PRN’ key on the RIGEL 344.**
- C. Edit the equipment profile on the Palm Pilot display, see Fig A below.**

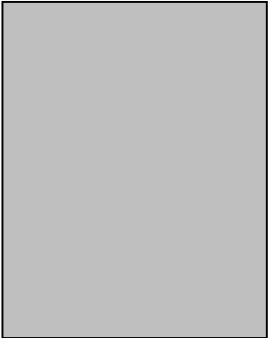
RIGEL MEDICAL DEFIB TESTER RIGEL 344	
Date: Control No. Model No. Serial No. Manf. Hospital: BMET: Remarks:	
Pass: <input type="text"/>	Fail: <input type="text"/>
Energy set: <input type="text"/> Energy: 103 Joules Peak Voltage: 1739 Volts Peak Current: 34 Amp	

Fig A

Fig B

- D. Set the test values for the instrument to be tested, see Fig B above.**
- E. Save the file.**
- F. The file is now available for printing or transferring to a PC.**

4.1 Introduction

The RIGEL 344 Defibrillator Tester/ Pacer Analyser / ECG Simulator is a precision, multi-purpose analyser that performs tests on all defibrillators and all pacemakers. It is a microcontroller based design and utilizes sophisticated algorithms to control all system activities.

4.2 Defibrillator Output Measurement

The energy of the Defibrillator that is discharged into the 50 Ohm load of the Rigel 344 is calculated using the formula:

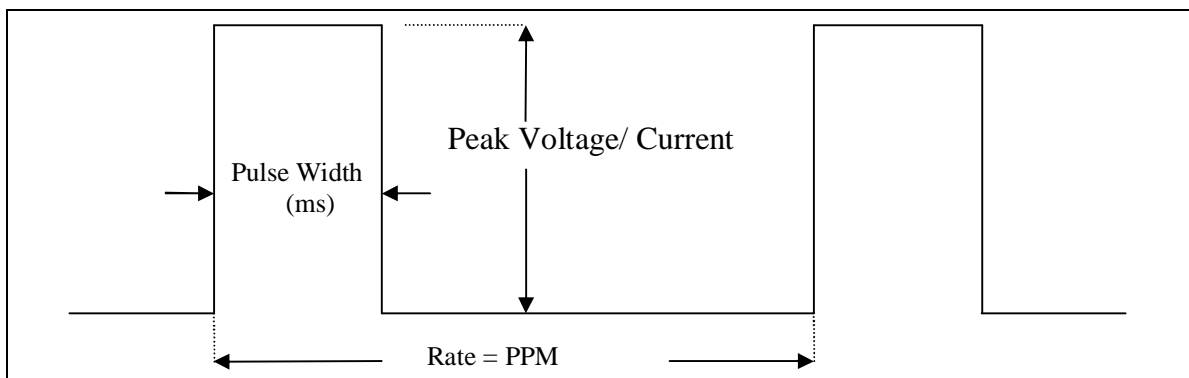
Energy $E = [V^2 (t)] / R$. Where 'V' is the discharge Voltage across the load resistor 'R' and 't' is the duration of the waveform in seconds.

The Rigel 344 measures the instantaneous voltage (attenuated by a factor of 2000/1.1), every 105 microseconds for a duration of 65 milliseconds. The Microcontroller computes the energy by summing up the squared voltages multiplied by the time and divides the product by 50 (load resistance).

The peak voltage measurement is performed by obtaining the largest value of the samples after a pulse measurement is recorded. The peak current is computed from the peak voltage divided by the load resistance of 50 Ohms.

4.3 Pacer Output Measurements

The pacer output measurement consists of peak voltage, peak current, pulse width, and pulse rate. Typically the waveform output is a trapezoidal shape and the voltage and current measurements will be taken at the peak. As shown below:



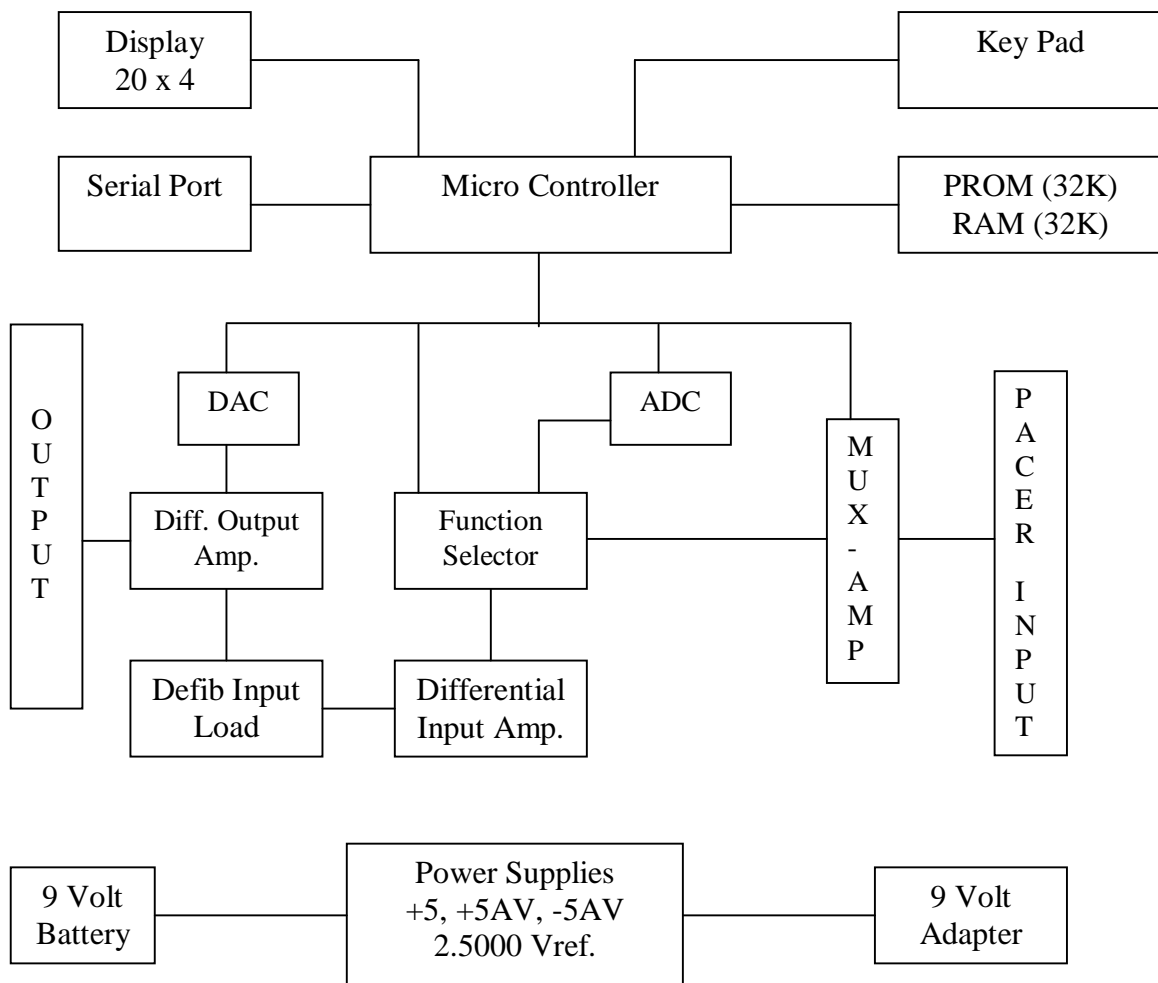
4.3.1 Pulsed Refractory Period

The pulsed refractory period is the time after a pulse is delivered from the pacemaker, during which the pacer will not detect cardiac activity.

4.3.2 Sensed Refractory Period

The sensed refractory period is the period after the pacemaker senses cardiac activity during which it will not detect further cardiac activity.

4.4 Circuit Block Descriptions



Block Diagram

4.4.1 Defibrillator Input Load

The input load consists of two 25 Ohm 95 Watt 1% wire wound resistors that simulate the impedance of the human thorax under high voltage conditions.

4.4.2 Differential Input Amplifier

The Input amplifier performs a differential voltage measurement across the input load. The output of the amplifier is fed to the ADC and the scope output amplifier with a gain of 2. The discharge waveform is sensed by the ADC and sampled at the rate of 1000 times per second and saved in the memory. The captured waveform is time scaled to 1:200 and output through the D/A converter. The stored waveform can be observed through the paddles and the ECG leads.

4.4.3 Pacemaker Input Loads

Pacer inputs are selected via the function selector. There are two separate input loads for Atrial and Ventricular pacer inputs. The Transthoracic pacer inputs are connected to a fixed 50 Ohm load or a variable load. The multiplexer selects the appropriate input and feeds it to a differential amplifier which is then fed to the ADC via the function selector switch.

4.4.4 ECG Outputs

ECG and Arrhythmia waveforms are generated by the DAC and are available at the ECG leads, the High Level Output Jacks, and the Defib paddle contacts.

4.4.5 Power Supplies

The Rigel 344 is powered by two 9 Volt Alkaline batteries. The volt is converted into +5V, +5AV by low dropout linear regulators. The -5AV is generated by a charge pump regulator. The +5AV and -5AV is used to power the op amps and +5V is used for the digital circuits. A precision 2.5000 Voltage reference is generated from the 9 Volt source. The 2.5000 reference voltage is used for the ADC and D/A converters. The +5V regulator incorporates low battery detection and when the battery voltage is lower than 6.5Volt, it sends a low battery signal to the micro controller.

An external DC power jack is provided for use with the Rigel Medical AC adapter (PN: 302). When the AC Adapter is plugged into the DC jack the battery Voltage gets disconnected.

4.4.6 Key Pad

The Rigel 344 functions are controlled by the Menu and key interaction by the user. The 8 momentary Keys are used to control the function of the instrument. The Keys are directly interfaced with the Micro controller.

When a key is pressed the micro controller responds by changing the appropriate menu on the display.

4.4.7 Display

The display is a 20 Character 4 Line LCD that interfaces directly with the micro controller. The contrast of the display is adjusted by a potentiometer.

4.4.8 Micro Controller Board

The Rigel 344 incorporates a 8XC55 based micro controller with 3 programmable timers and serial ports. The frequency of the crystal oscillator is 11.0598Mhz.

4.4.9 Memory

The memory consists of 32 K internal ROM, 32 K external ROM, and 32 K RAM. The internal and external PROM contains the software necessary to control the Rigel 344. The static RAM is used during program execution to hold buffers and stack operation.

4.4.10 Serial Port

The serial communications originates from the processor's asynchronous port 0. The communications protocol is user configurable.

4.4.11 Analogue to Digital Conversion

The input signals from the 50 Ohm load for the defib and the pacer input signals are routed through the selector switch to the ADC input. The ADC is a bipolar 13 bit (12 bit plus sign) successive approximation type with an auto calibration feature. The reference voltage is set at 2.5000 Volts by the precision reference.

4.4.12 Digital to Analogue Conversion

The D/A converter is a dual 8 bit type. The reference of the first DAC is set at 2.5000 Volts precision reference. The waveform is generated by the second DAC whose reference voltage is controlled by the first ADC for scaling purposes (amplitude selections). The output signal is then offset and inverted by the Op amp to form a symmetrical signal with respect to ground. The signal is further scaled and buffered for the high level output. The single ended signal is amplified differentially and attenuated to 1mV (default amplitude) and fed to the 50 Ohm load. This signal is sensed by the automatic defibs to trigger the output pulse.

5.1 Troubleshooting Chart

The following chart is provided for basic troubleshooting. Problems other than those listed should be addressed to the Rigel Medical Technical Service Department at + 44 (0) 191 5878716.

Description	Cause	Action
On Power up the Display is blank	The Battery Voltage may be low or the display contrast is set low	Replace with new battery or use AC adapter.
When the unit is switched from Pacer to Defib the display remain in Pacer Mode.	This happens when there is a Memory corruption.	Turn Unit off and then turn it On.
When defib is fired into the unit the display freezes.	This occurs when hi EMI fields produced by The Defib.	Turn Unit off and then turn it On.
The display shows non ASCII Characters	Memory corruption	Turn Unit off and then turn it On.
Low battery warning	Battery is low	Replace battery

